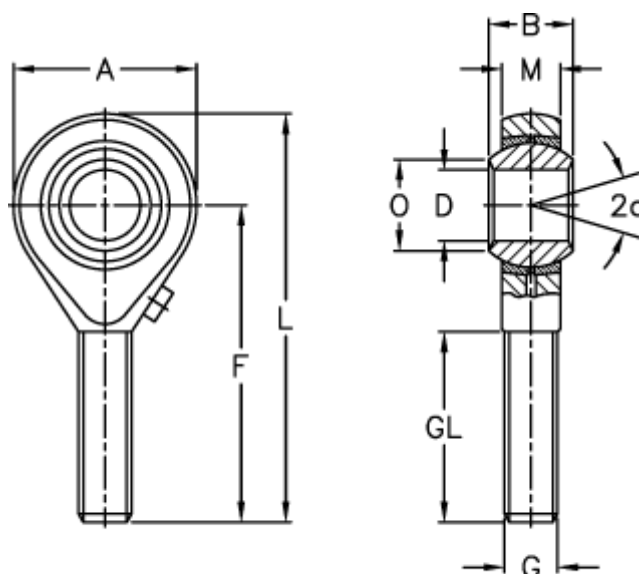


Article number: 03076012

Description: Fluro Rod End GA-A 12  
without backlash, zinc plated

## Measures



Str. 5 uden smørenippel

A	= 32	L	= 70
a (degrees)	= 13	M	= 12
B	= 16	O	= 15.4
D	= 12	Permissible rpm	= 450
Dynamic load C (kN)	= 10	Static load C0 (kN)	= 25.5
F	= 57	Weight (g)	= 87
g	= M12		
GL	= 33		